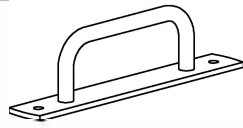




MANTION POLSKA

WWW.MANTION.PL

337-766 | ROC DESIGN



x1



M8x55

x2



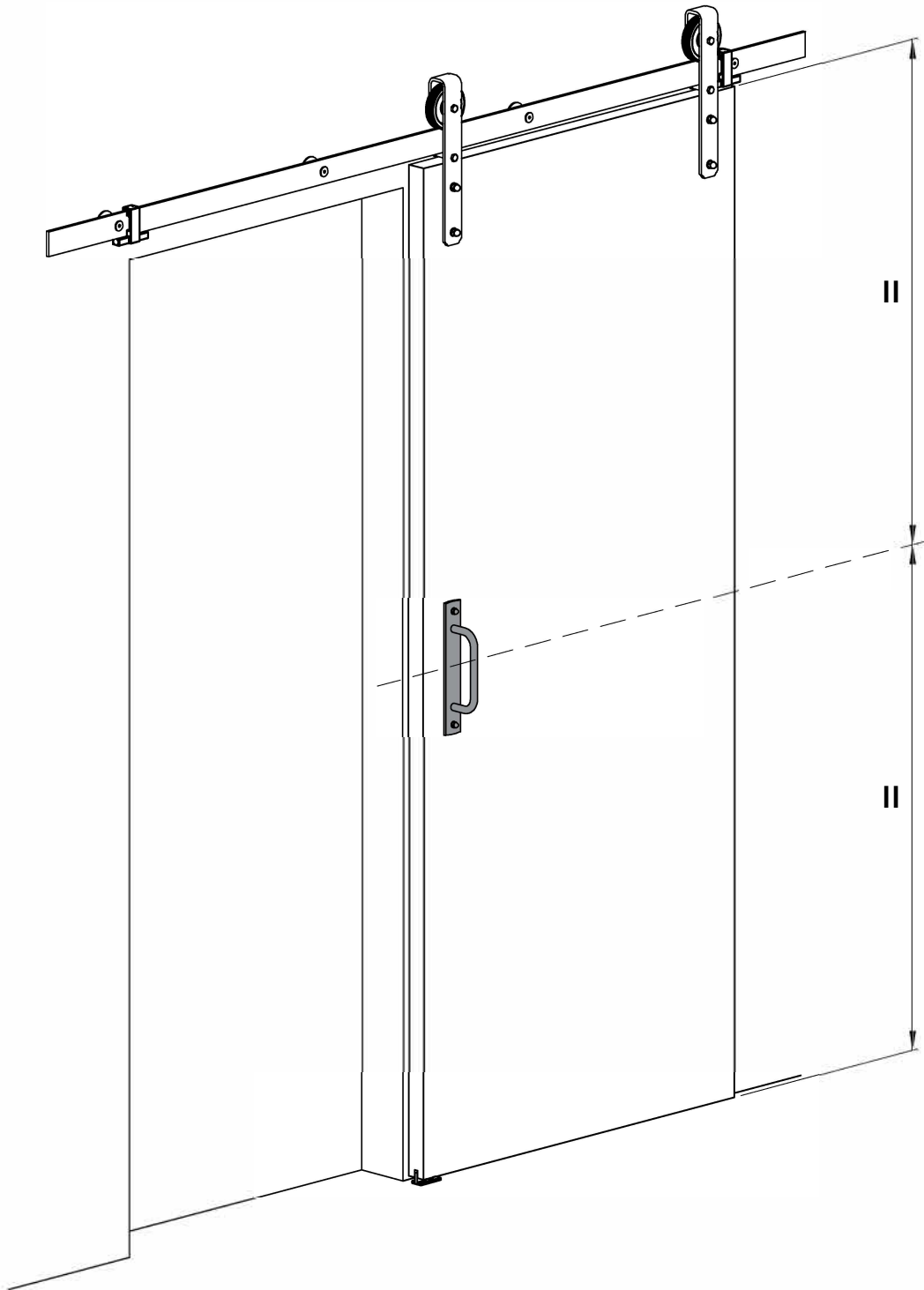
Ø8

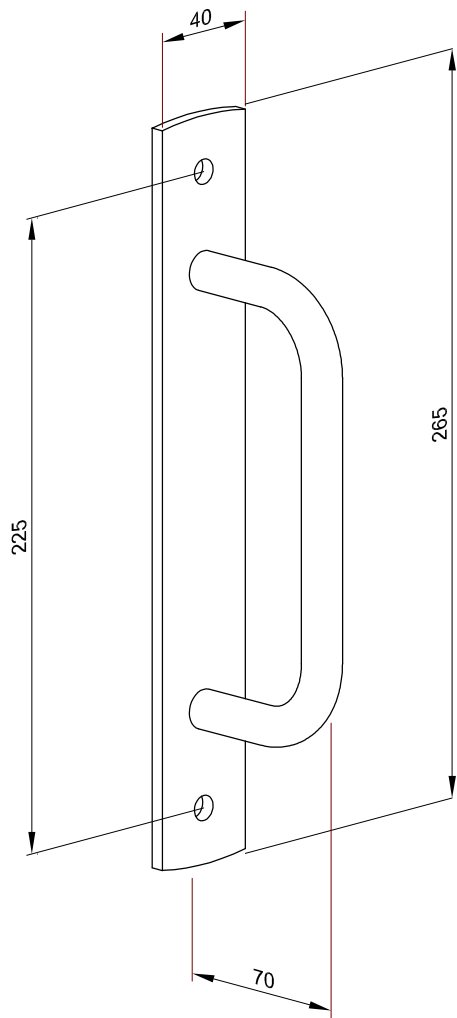
x4



M8

x2





! $35 < s < 38$

$38 \leq s < 42$

